

# SIRIUS CAPACITOR MODULE

## User Manual

Model number: 1860-48-B-1C-M-SD-A-X-X-G

Version 1.0; Release Date: June 2020



Author:

Mamoona Khalid

## **Introduction**

The Sirius Capacitor Module (“Sirius”) is supercapacitor-based storage that uses supercapacitors as storage cells instead of chemical cells. Kilowatt Labs’ proprietary balancing, control and charge retention algorithms control the operation of the supercapacitor-based modules, making Sirius a safe, efficient and effective alternative to chemical batteries wherever chemical batteries are deployed.

## **Legal Provisions**

No part of this User Manual (“Manual”) may be reproduced, or transmitted, in any form or by any means, without the prior written permission of Kilowatt Labs, Inc. (“Kilowatt” or the “Company”). Specifications in this Manual are subject to change without notice. While every attempt has been made to make the Manual accurate and up-to-date, users are cautioned that product improvements may cause the Company to make changes to specifications without advance notice. Users are encouraged to consult the Company or its Resellers before using the Manual. Neither the Company nor its Resellers shall be liable for any indirect, incidental, or consequential damages under any circumstances caused by reliance on the material presented, including, but not limited to, omissions, typographical errors, arithmetical errors or listing errors in the content material. The content of this manual shall not be modified without the written authorization of the Company.

## **Trademarks**

All trademarks are recognized, even if not explicitly identified as such. Kilowatt Labs® is a registered trademark of the Company.

## Contents

1	Safety Instructions: .....	5
1.1	Symbols Convention: .....	5
1.2	Safety Precautions: .....	5
1.3	Modules Connection Safety Precautions:.....	7
1.4	Shipping: .....	7
1.5	Qualified Installer:.....	7
2	Product Introduction: .....	8
2.1	Part Number: .....	8
2.2	Product Overview: .....	8
2.2.1	Appearance:.....	8
2.2.2	Mechanical Drawings:.....	9
2.2.3	Dimensions and Weight:.....	11
2.3	Product Description: .....	12
3	Module Installation:.....	18
3.1	Inspection: .....	18
3.2	Safety Gear: .....	18
3.3	Unpacking and Contents Check: .....	18
4	Electrical Installation:.....	19
4.1	Cable Size: .....	19
4.2	Connecting Cable Lugs, Washers and Bolts to Module Terminals: .....	19
4.1	Connecting Module to Power Supply: .....	20
4.2	Connecting Module to Load: .....	21
4.3	Connecting Modules in Parallel: .....	22
4.4	Connecting Modules in Series: .....	23
4.4.1	Steps to Operate Modules in Series: .....	23
5	Operation Procedures:.....	25
5.1	Module Configuration:.....	25
5.2	Software Configuration:.....	27
6	Recovery Procedure:.....	30
7	Automatic Safety Shutdown: .....	32
8	Trouble Shooting: .....	34
9	Features: .....	35
9.1	Key Features: .....	35
9.2	Physical features: .....	35

9.3 Technical Features: ..... 36

10 Shelf Life:..... 37

11 Maintenance:..... 37

12 Disposal:..... 37

13 Test Procedures: ..... 38

    13.1 Round Trip Efficiency Test: ..... 38

    13.2 Test Method for Self-Discharge:..... 39


14 FAQs:..... 40


## 1 Safety Instructions:


This manual contains instructions for unpacking, mounting, installation and operation of a Sirius Module. Please read this manual carefully before operating the system and follow all warnings and safety instructions to prevent accidents. The Sirius Module must be installed by trained personnel.


### 1.1 Symbols Convention:

Safety instructions and general information that appears in this manual are described.

	<p><b>Caution!</b></p> <p>“Caution” indicates hazardous situation which, if not avoided could result in minor or moderate injury.</p>
---	---

	<p><b>Warning!</b></p> <p>“Warning” indicates hazardous situation which, if not avoided could result in major injury or death.</p>
--	--

	<p><b>Danger!</b></p> <p>“Danger” indicates hazardous situation which, if not avoided could result in serious injury or death.</p>
---	--

	<p><b>Note!</b></p> <p>“Note” provides tip that are valuable for optimal operation of your product.</p>
---	---

### 1.2 Safety Precautions:

The Sirius Modules are designed to provide years of trouble-free operation. Proper handling is required to avoid damage to the Module. In particular the following precautions should be observed.

- **Personal Safety:**

→ Always wear proper personal protective equipment (eyes protection, gloves and safety shoes).

- Always make sure charger is set as recommended.
- Always make sure chargers are disconnected while working on Modules.
- **Module Safety:**
  - Do not subject the Module to strong impact.
  - Do not crush or puncture the Module.
  - Do not dispose the Module in a fire.
  - Do not charge the Module when the temperature is below  $-30^{\circ}\text{C}$ .
  - Do not charge the Module when temperature is above  $80^{\circ}\text{C}$ .
  - Do not operate the Module above the specified voltage.
  - Under no circumstances charge/discharge the Module at more than 40 A.
  - Under no circumstance must the charging voltage exceed  $54 V_{dc}$  for more than 60 seconds.
  - Do not expose the Module to temperatures in excess of  $80^{\circ}\text{C}$ .
  - Do not place the Module near a heat source, such as a fireplace.
  - Do not disassemble the Module under any circumstances.
  - Do not touch the Module with wet hands.
  - Do not expose the Module to moisture or liquids.
  - Keep the Module away from children and animals.
  - Ensure precautions to prevent short-circuit under all circumstances.
  - Do not connect or disconnect terminals from the Module without first disconnecting the load.
  - Do not touch the terminals with conductors while the Module is charged. Serious burns, shock, or material fusing may occur.
  - Protect surrounding electrical components from incidental contact.
  - When connecting to external devices ensure that galvanic isolation does not exceed 1000V.
  - Do not use the Module in open-environment, in rain or in a place exposed to water and other liquids.
  - Do not subject the Module to high pressure.
  - Do not step on the Module.

- Do not drop the Module. Internal damage may occur that will not be visible.
- Do not stack Modules once they have been removed from the packaging, instead the Modules should be placed on shelving.
- In case the Module is physically damaged due to any event, do not install and energize the Module under any circumstances and immediately contact your Reseller.

### **1.3 Modules Connection Safety Precautions:**

- All Modules must be at 100% SOC or same level of voltage before connecting in Series or in Parallel.
- The maximum number of Modules that can be connected in series is 8 with Module Combiner.
- Do not connect more than 8 Modules in Series.
- Modules cannot be connected in Series-Parallel combination under any circumstance.



**Note!**

**If you want to connect more than 8 Modules in Series, please contact your Reseller.**

### **1.4 Shipping:**

Sirius Capacitor Modules are shipped out via Air and Sea.

- If the Modules are shipped via Air, please follow the instructions given below:
  - Carefully remove the nails from all the four sides of the wooden box and open it.
  - Remove the foam and cling wrap and open the carton box and lift the Module manually.
- If the Modules are shipped via Sea, please follow the instructions below:
  - Carefully remove the Module from the pallets after cutting the packing strip holding the Modules to the shipping pallets.
  - Open the carton box and lift the Module manually.

### **1.5 Qualified Installer:**

Selling and installation of this Module is only through the Company's Resellers who are trained on installation, operation and maintenance of the Sirius Modules.

## 2 Product Introduction:

### 2.1 Part Number:

**1860-48-B-1C-M-SD-A-X-X-G**

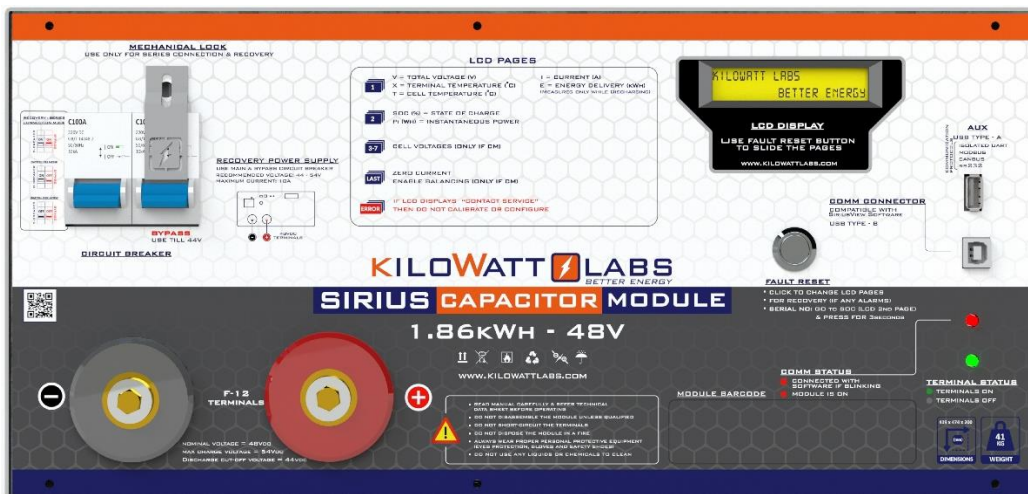
①      ②      ③      ④      ⑤      ⑥      ⑦      ⑧      ⑨      ⑩

- 1) Capacity of Module in WH
- 2) Nominal Voltage of the Module
- 3) Terminals are on the Front Side
- 4) Maximum Charge Rate of the Module
- 5) With Individual Cell Monitoring
- 6) With Safety
- 7) With Alarm
- 8) Not Available
- 9) Not Available
- 10) General Module

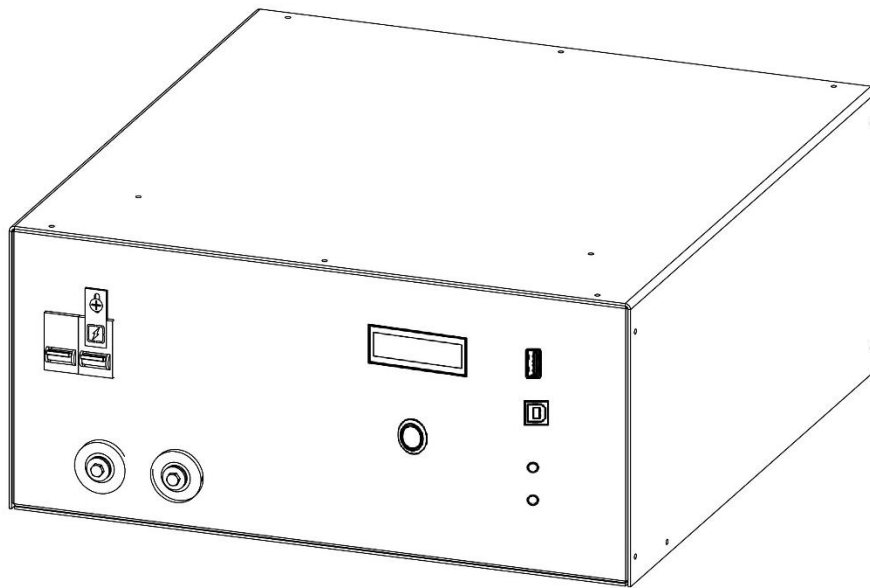
### 2.2 Product Overview:

#### 2.2.1 Appearance:

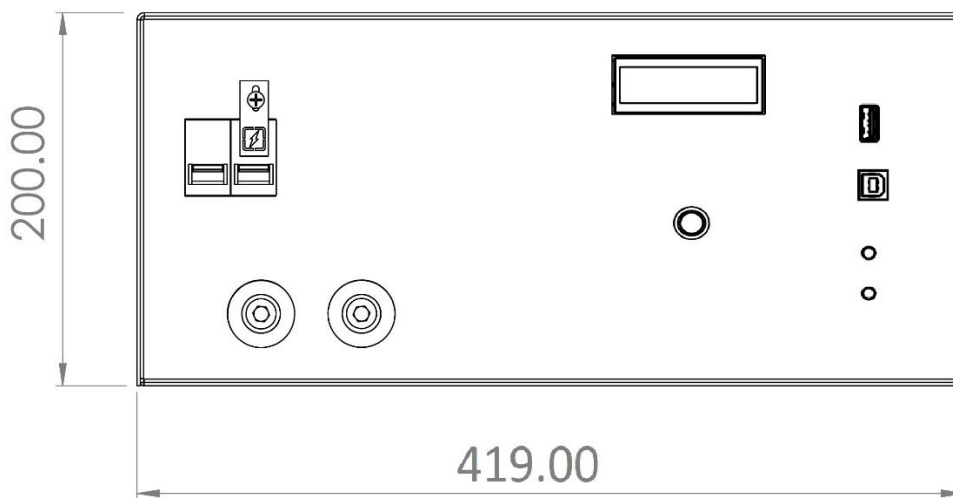
The appearance of the Sirius Module is shown below:



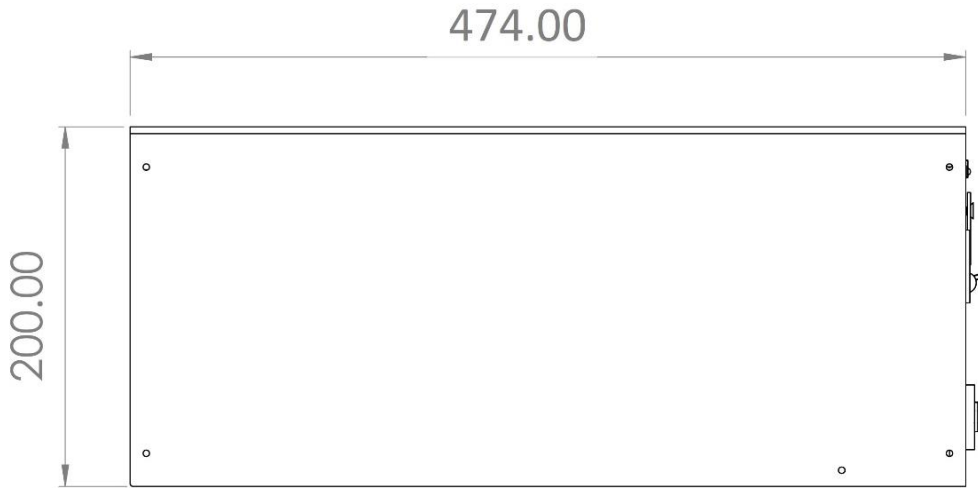




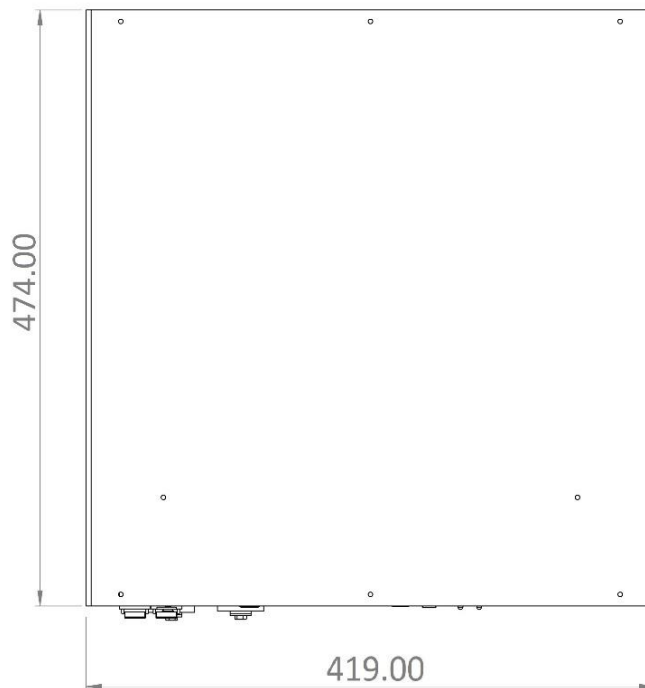
**2.2.2 Mechanical Drawings:**



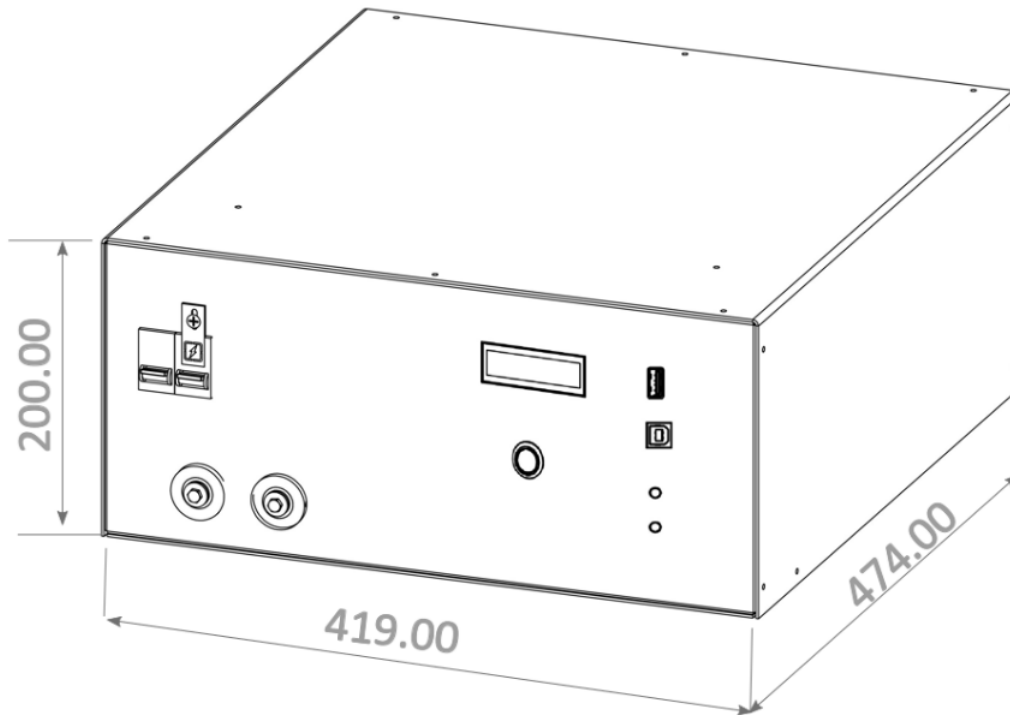
**Front View**



**Side View**



**Top View**

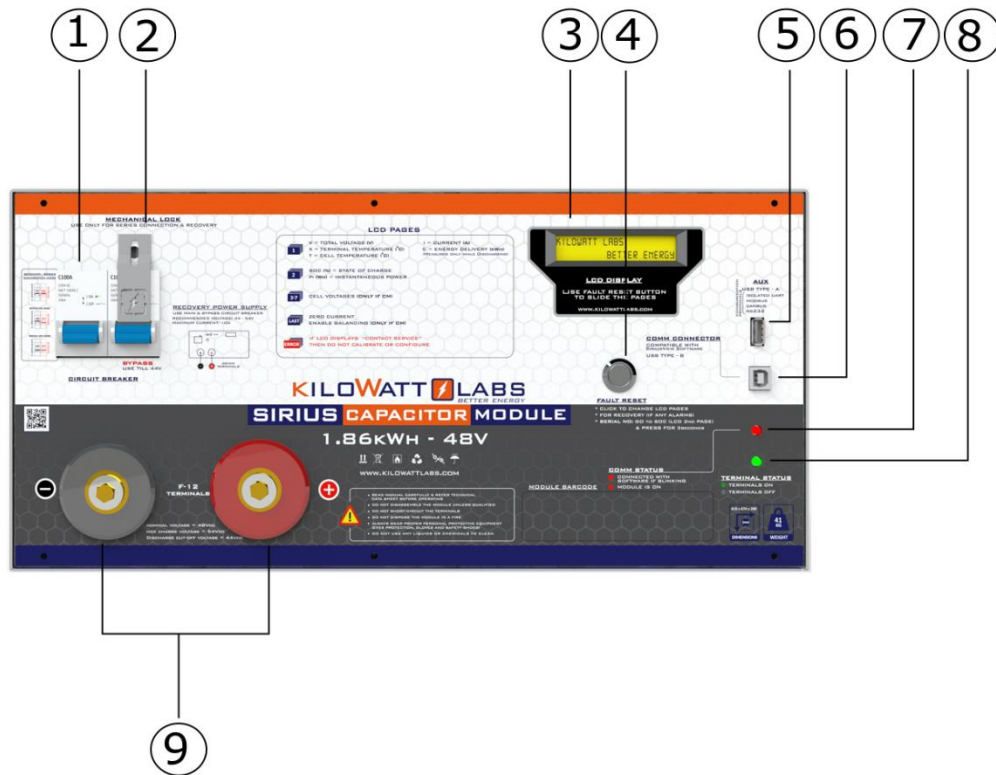


**Isometric View**

**2.2.3 Dimensions and Weight:**

Width	419 mm
Depth	474 mm
Height	200 mm
Weight	41 kg

**2.3 Product Description:**



Object	Mark	Description
1	Circuit Breaker	Two C100A Circuit breakers for switch ON/OFF Module.
2	Bypass Circuit Breaker	C100A Circuit breaker for bypassing electronic switch.
3	LCD	(16x2) LCD
4	Fault Reset	Fault Reset Button
5	Aux	Auxiliary USB
6	Comm Connector	Communication Connector USB
7	Comm Status	Communication Status LED
8	Terminal Status	Terminal Status LED
9	F08 terminals	Terminals

**1. Circuit Breaker:**

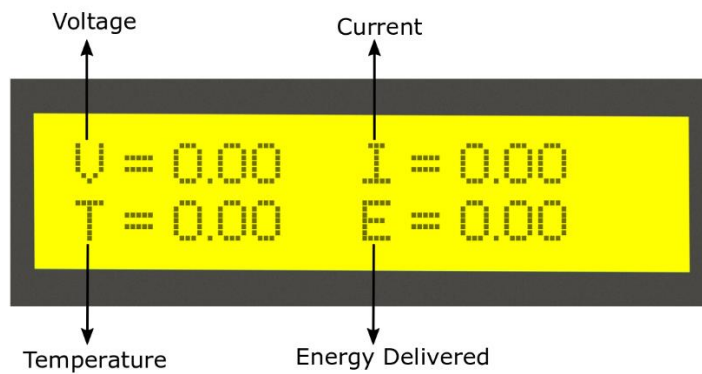
Circuit breaker is used to power ON the Module. It also acts as a second line of protection, if the circuit fails to protect the Module from over current, the circuit breaker will trip.

**2. Bypass Circuit Breaker:**

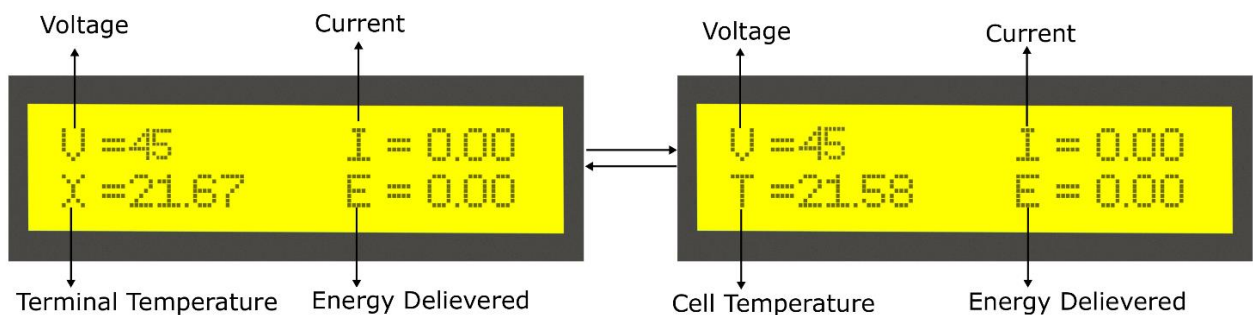
The Bypass Circuit breaker is used to bypass electronic switch. It is used for Series connection and recovery of the Module.

**3. LCD Description:**

Once the power is switched ON from the circuit breaker, the Module gets power and the LCD shows the following message after 3 seconds under normal operation:



After 1 second, the following two LCD screens get switched with each other.



#### 4. Fault Reset:

Fault Reset is a push button which is used to turn ON the terminals manually after it turns OFF due to any error.

The additional features of fault reset are as follows:

- a) Hold fault reset for 5 seconds to toggle the terminals.
- b) Hold fault reset for 3 seconds to reset fault if there is/are any.
- c) We can set the Current reading to zero.
- d) Press fault reset button to check the state of charge and instantaneous power.
- e) Press the fault reset button to see the individual cell voltages.

#### 5. Checking for Individual Cell Voltages:

When the fault reset button is pressed, the LCD after displaying the state of charge (SOC) and instantaneous power, will display the cell voltages of the first four cells as shown below:



Whereas:

01=Voltage of 1<sup>st</sup> Cell

02=Voltage of 2<sup>nd</sup> Cell

03=Voltage of 3<sup>rd</sup> Cell

04=Voltage of 4<sup>th</sup> Cell

By continuously pressing, the cell voltages will be displayed for all the cells.

- **Enabling/Disabling Cell Balancing:**

After scrolling through the individual cell voltages, cell balancing can be enabled/disabled by the following steps below:

**Step 1:** When current is zero, LCD will display the message as illustrated below.



> ENBL BALANCING

**Step 2:** After this message appears, hold fault reset button for 5 seconds, then the LCD will display the following message which means that the cell balancing has been enabled.



CELL BALANCING  
ENABLED

**Step 3:** To disable cell balancing, when current is zero, the LCD will display the following message.



> DSBL BALANCING

**Step 4:** After this message appears, hold the fault reset button for 5 seconds, then when the LCD displays the following message, it means that balancing has been disabled.



CELL BALANCING  
DISABLED



**Note!**

To enable and disable balancing, the Current should always be zero.



**Note!**

Balancing is automatically disabled if there is a Current reading greater than zero.

**Step 5:** To make the current zero, follow the steps below:

→ When current is not zero, the LCD will display the following message.




→ To make the current zero, hold the fault reset button for 3 seconds and the LCD will display the following message.



This means that the current is now zero.

To return back to the normal screen, press the fault reset button once more or leave the Module idle for 5 seconds.

	<p><b>Note!</b></p> <p><b>Make sure that there is no external load or charger before setting the current to zero.</b></p>
---	---

## 6. Auxiliary USB:

This is an auxiliary connector with isolated UART or Serial Communication for wireless monitoring, Module Combiner and future functions.

## 7. COMM Connector USB:

This is a COMM connector to monitor the Module using the Sirius software. FTDi chip is used for this USB.

## 8. COMM Status LED:

COMM Status LED indicates the communication status.



- **LED Status Indication:**

Color	Status	Indication
Red	Blinking	Control Module is communicating with Sirius VIEW Software.
Red	Steady	Control Module is not communicating with Sirius VIEW Software.
Red	Dimming	Module is in power down state.

### 9. Terminal Status LED:

Terminal status LED indicates the F08 terminal status.

Color	Status	Indication
Green	ON	The F08 terminal is active
Green	OFF	The F08 terminal is not active.

### 10. F08 Terminals:

These are the output terminals of the Module having electronic switch protection that is limited to 100VDC only. F08 terminals are used to connect the load or charger to the Module. There are also positive and negative cables in the jumper cable set. The red one is positive (+), the black one is negative (-).



**Note:**  
**Never connect the red cable to the negative terminal of the Module.**

### 3 Module Installation:

#### 3.1 Inspection:

Inspect the shipping carton for visible damage including cracks, dents, deformation and other visible abnormalities prior to unpacking the Module. Document (photograph) any damage and report this to your Reseller as well as to the shipping agent immediately. Remove the Module from the shipping carton and retain the shipping materials until the unit has been inspected and is determined to be operational.

#### 3.2 Safety Gear:

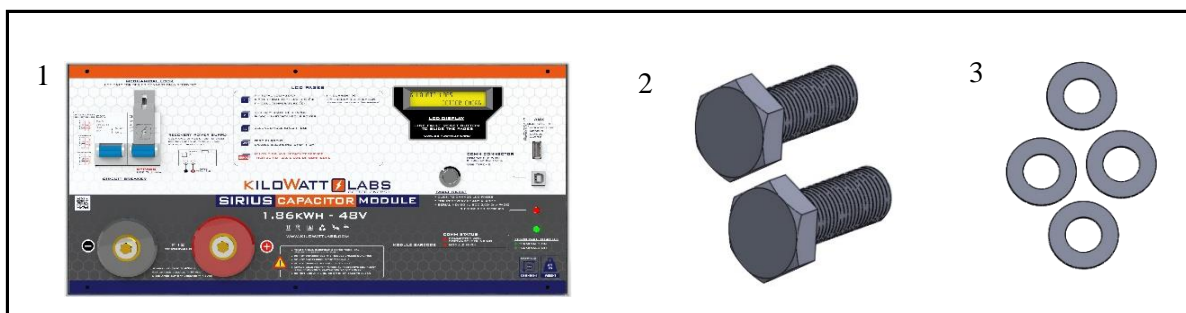
Installation must strictly follow the national safety regulations in compliance with the enclosure, installation, creepage, clearance, casualty, markings and segregation requirements of the end-use application. Installation must be performed by professional installers only. Switch OFF the system and check for hazardous voltages before altering any connection! Sirius Modules must be handled only by qualified and trained personnel. Installation should not exert bending or twisting torque to the Module enclosure.



**Note!**  
Read the safety Instruction section before installation.

#### 3.3 Unpacking and Contents Check:

Check the contents of the package.



1) Sirius Capacitor Module: 1.86KWh48VDC

2) Bolts × 2

3) Washers × 4

Sirius Capacitor Module – User Manual

Model Number - 1860-48-B-1C-M-SD-A-X-X-G

This manual is subject to change without notice and at the sole discretion of Kilowatt Labs, Inc.

Kilowatt Labs, Inc. | [www.kilowattlabs.com](http://www.kilowattlabs.com)

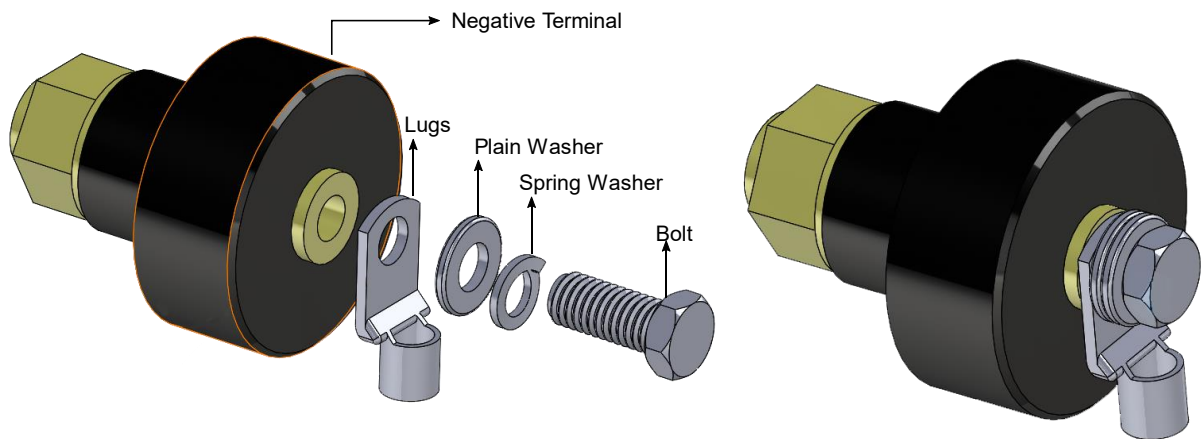
## 4 Electrical Installation:

### 4.1 Cable Size:

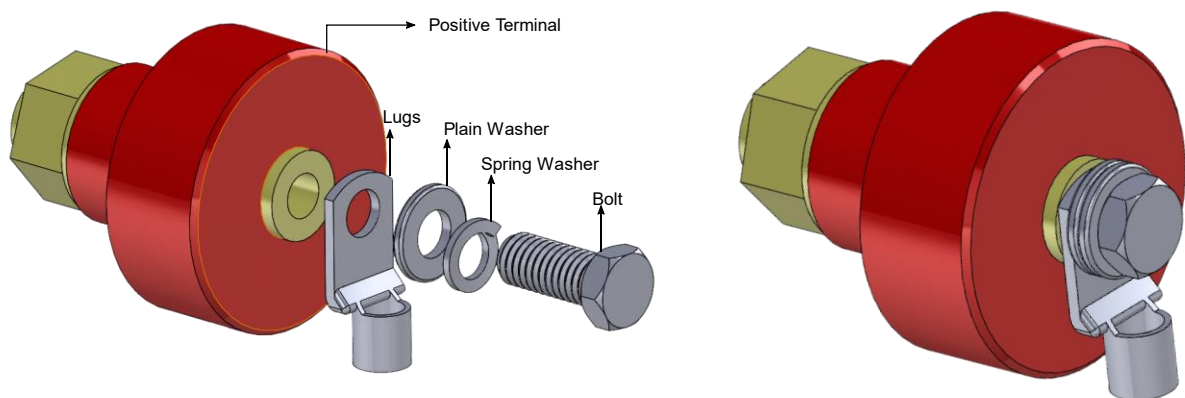
We recommend a cable size of 35mm<sup>2</sup> thick and 1m length to hold current up to 150A. Please use thick cable size for lengths longer than 1m.

### 4.2 Connecting Cable Lugs, Washers and Bolts to Module Terminals:

Follow the sequence below to connect the washers, lugs and bolts to the positive and negative terminals of the Sirius Module. Make sure connection is not loose.

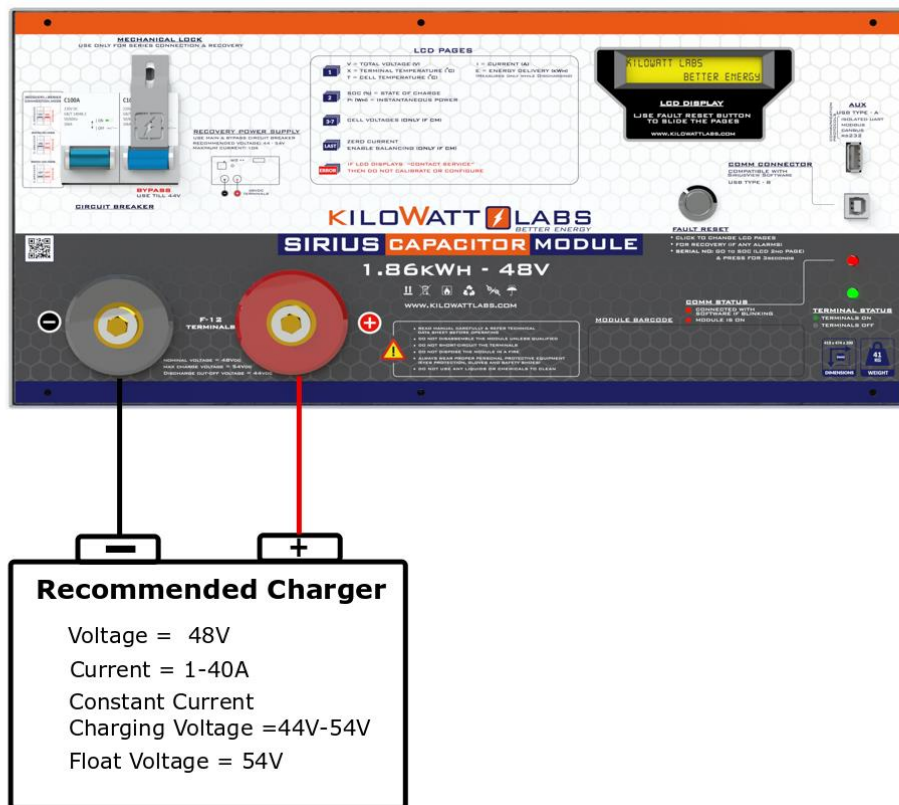


*Connecting washers, lugs and bolts to negative terminal of Module*



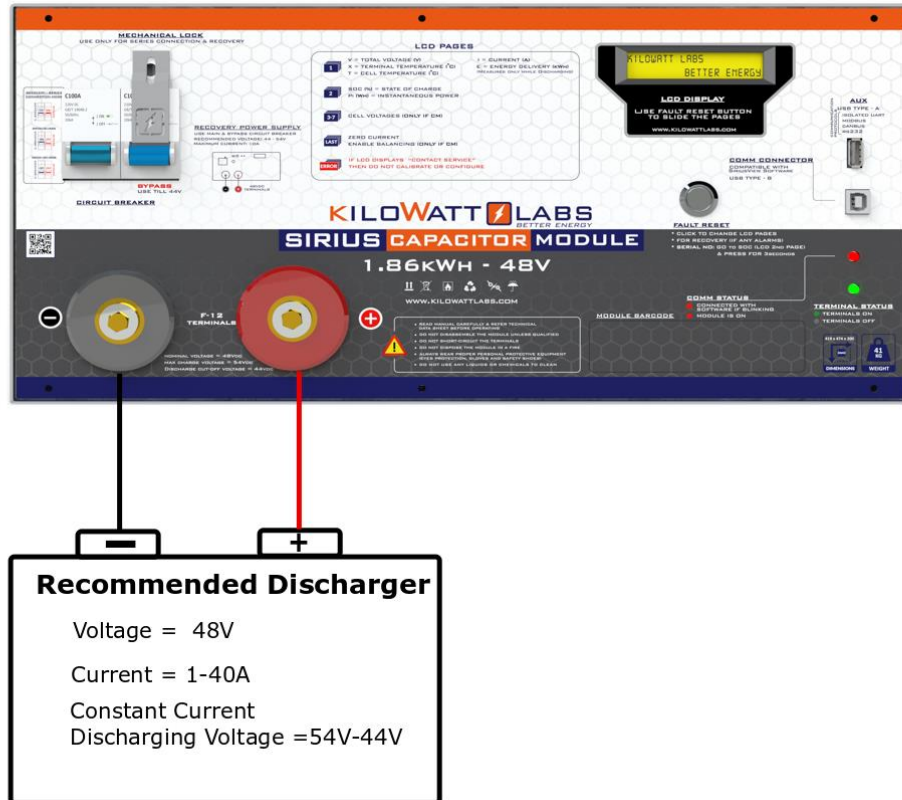
*Connecting washers, lugs and bolts to positive terminal of Module*

#### 4.1 Connecting Module to Power Supply:



- Connect positive and negative terminals of charger to the positive and negative terminals of the Sirius Module respectively.
- Turn ON the Circuit breaker.
- Make sure to activate the Module by pressing the fault reset button to get the output from the terminal.
- Turn ON the Charger.

## 4.2 Connecting Module to Load:



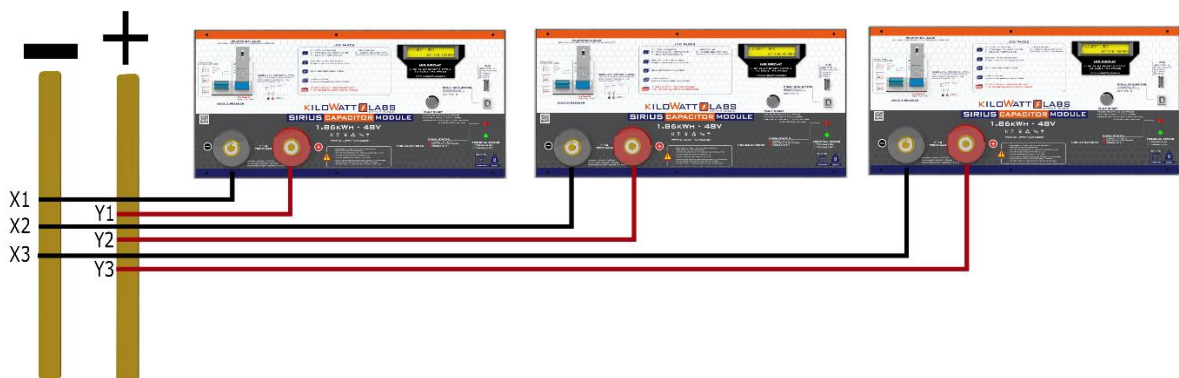
- Connect positive and negative terminals of discharger to the positive and negative terminals of the Sirius Module respectively.
- Turn ON the Circuit Breaker.
- Make sure to activate the Module by pressing the fault reset button to get the output from the terminal.
- Turn ON the discharger.

### 4.3 Connecting Modules in Parallel:

Any number of Modules can be connected in parallel.

- **Steps to Connect Modules in Parallel:**

Refer to the parallel combination of the Sirius Modules as shown below and make your connection accordingly.



- Connect the positive (+) of the F08 Terminal of all Modules to the positive busbar.
- Connect the negative (-) of the F08 Terminal of all Modules to the negative busbar.



**Note!**

Switch ON only the Circuit breaker when connecting in Parallel.



**Caution!**

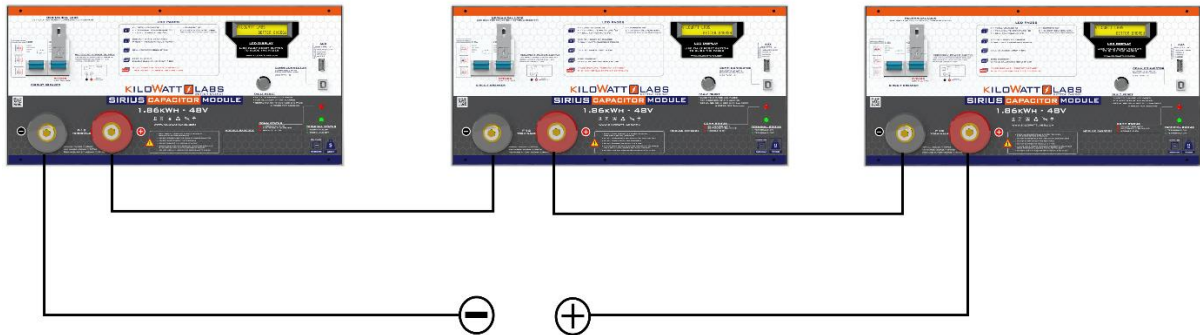
Charge all the Modules to 100% SOC or same voltage level before connecting them in Parallel.

#### 4.4 Connecting Modules in Series:

A maximum of 8 Modules can be connected in Series with a Module Combiner.

- **Steps to Connect Modules in Series:**

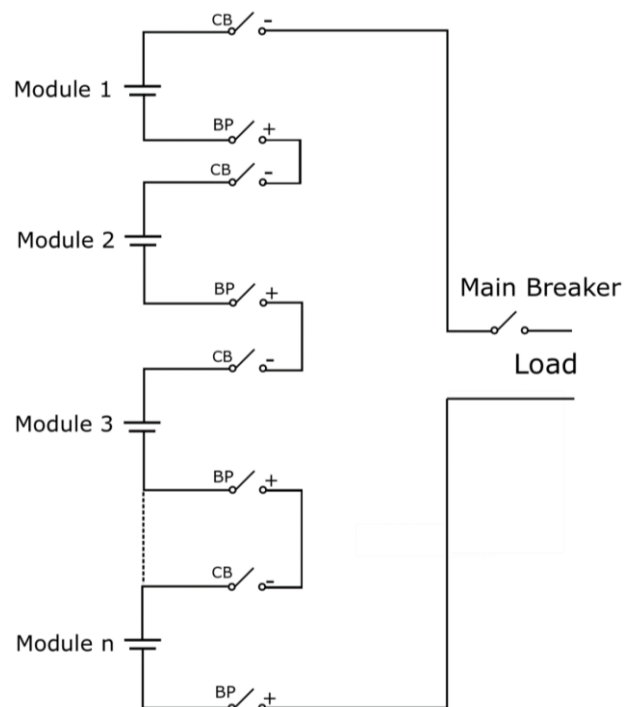
Refer to the Series combination of the Sirius Modules as shown below and make your connection accordingly.



- Connect the positive (+) of the F08 terminal of the first Module with the F08 terminal of the next Module.
- Take the Output Negative from first Module and Output Positive from the last Module.

#### 4.4.1 Steps to Operate Modules in Series:

The figure given below shows n number of Modules connected in series.



1) Turning ON the Modules:

1. First of all, turn ON the bypass breakers of all Modules.
2. Turn ON the circuit breakers of all Modules.
3. Turn ON the Main breaker.

2) Turning OFF the Modules:

1. Turn OFF the Main breaker.
2. Turn OFF the circuit breakers of all Modules.
3. Turn OFF the bypass breakers of all Modules.



**Warning:**

**Not following the steps in sequence may damage the Module.**



**Note!**

**Switch ON the bypass Circuit breaker when connecting in Series, otherwise it will damage the electronic switch.**



**Caution!**

**The Bypass circuit breaker is not protected with electronic switch, therefore during over-voltage, under voltage and high temperature conditions, the terminals will not shutdown. It only gives protection for over current condition.**



**Caution!**

**Charge all the Modules to 100% SOC or same voltage level before connecting them in Series.**



**Note!**

**Modules cannot be connected in series-parallel combination under any circumstance.**



## 5 Operation Procedures:

### 5.1 Module Configuration:

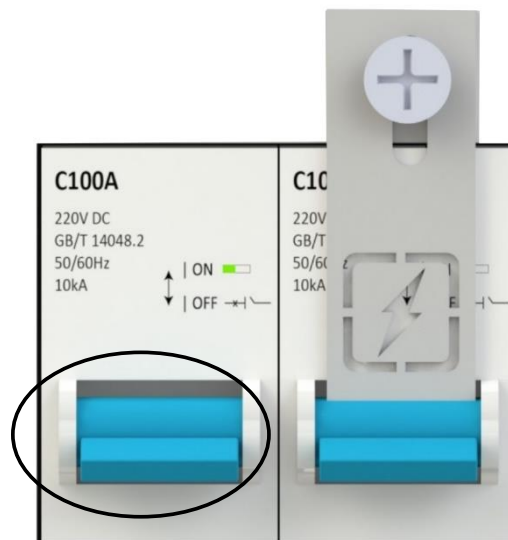
Follow the steps below to switch ON the Module.

#### Step 1: Connecting the Load:

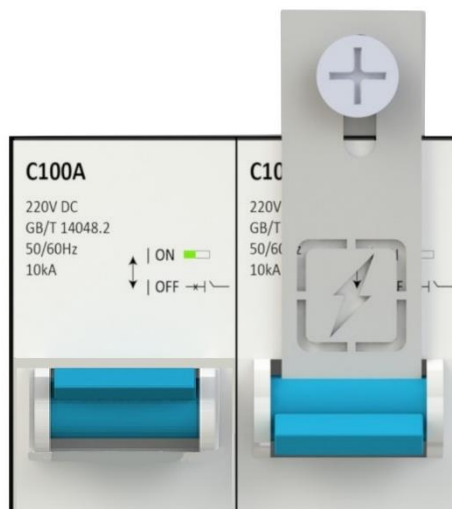
Connect the F08 terminals of the Module to the load.

#### Step 2: Module Start-Up:

1. Turn ON the Circuit breaker by pushing the Blue button upwards as shown in the picture below:



2. The picture below shows that the Module is turned ON.



3. Wait till the LCD screen on the Module displays initial values.
4. Be sure you are able to see the terminal status LED OFF.
5. Press and hold the fault reset button, after 3 seconds the terminal status LED will change to Green.
6. Release the fault reset button.



**Note!**

Use the Bypass circuit breaker button to connect the Modules in Series and for recovery purpose.



**Note!**

Due to shipping laws and regulations, the Module may be shipped in partial State of Charge.

**Step 3: Module Shut-Down:**

1. Press and hold the fault reset button to turn OFF the terminal. After 3 seconds the terminal status LED will go OFF.
2. Make sure every indicator on the Module is OFF.
3. Turn OFF the Module by moving the Circuit breaker button to the OFF position.



**Note!**

Always turn OFF the Module when not in use because it is Self-Powered. If left ON, the self-discharge rate will increase.

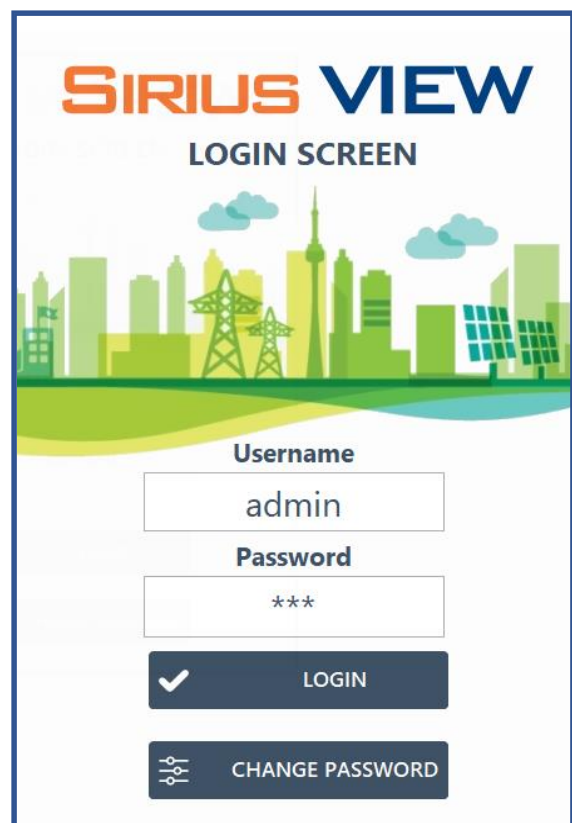
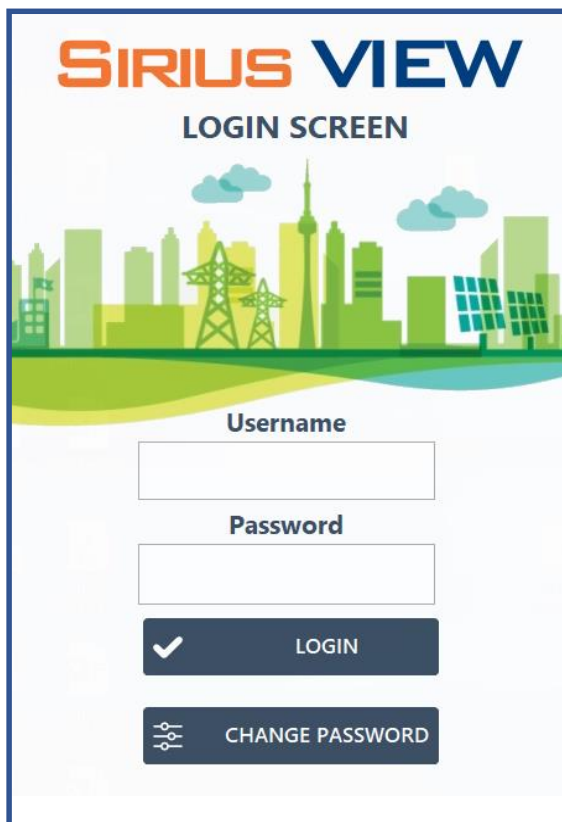
## 5.2 Software Configuration:

To configure Sirius VIEW application, please follow the steps below.

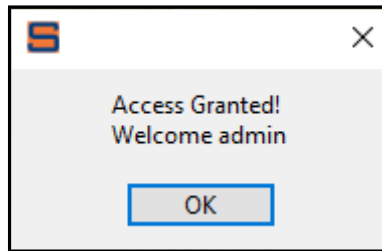
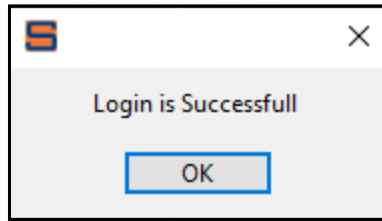
1. Install the Sirius VIEW application on your system.
2. Connect the Ethernet cable to the Ethernet port to start communication and monitoring.
3. Turn ON the Sirius Module by pressing the fault reset button on front panel.
4. Wait till the LCD screen on the Module displays initial values.
5. Double click on the Sirius VIEW application to execute it.
6. When the Log-In appears, enter the default username and password as shown below.

Default Username: admin

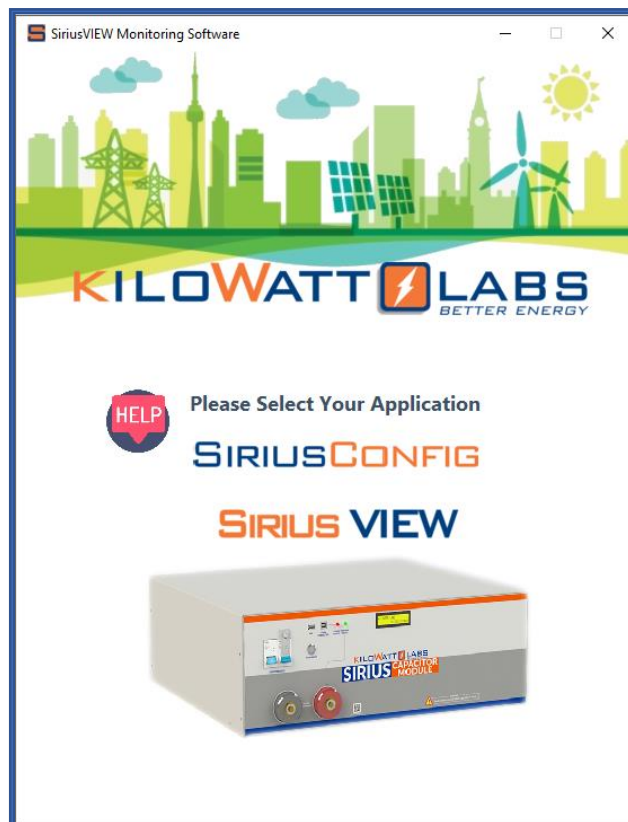
Default Password: 123



7. By clicking on Login, the below pop-up messages will appear.

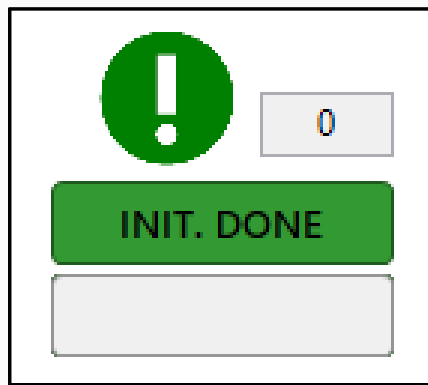


8. Keep on clicking OK until Sirius VIEW Monitoring Software window appears as shown below. Select SIRIUS VIEW and left click.



9. Follow instructions and press Run button on interface. (Auto Pop-up dialogs).

10. When the connection between PC and Module is established successfully, INIT.LED will be constantly turned ON.



11. For getting measurement, press RUN button.
12. If there is any problem during connection, check USB cable and ensure the Module is working properly.
13. While getting measurement, MEASURING LED should blink every 1 second. If blinking has stopped, it will represent measurement interrupt or technical issues.
14. While getting measurement, COMM LED on front panel of the Module will blink.



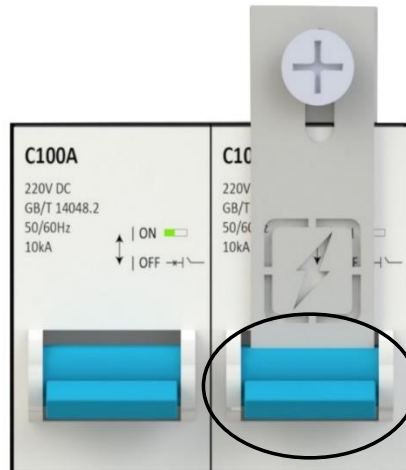
**Note!**

Please read the **Application manual to configure the software thoroughly. The Application manual is downloaded automatically when you install Sirius VIEW application.**

## 6 Recovery Procedure:

When the Module voltage drops below a certain threshold, the control electronics turn OFF. To restart the control electronics, follow the steps below.

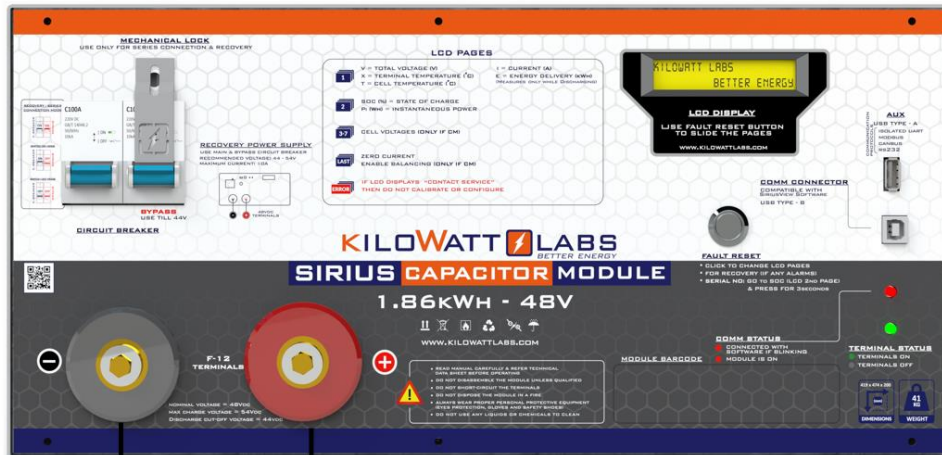
1. Use the Bypass circuit breaker to turn the Module ON as shown below.



2. A power supply having voltage range of 44V<sub>dc</sub> to 54V<sub>dc</sub> and current range of 1A to 10A will be required.
3. Connect the positive terminal of the power supply to the positive terminal of the F08 terminal and negative terminal of the power supply to the negative terminal of the F08 terminal.
4. Remove the lock screw from the Bypass Circuit breaker with the help of screw driver.
5. Once the connection is done, turn ON the circuit breaker as shown below. The Module will recharge and the control electronics will turn ON.



6. The event may take several minutes depending on the power supply used.
7. At this stage, remove the power supply and leave the Module for normal recharge.



**Recovery Procedure**  
**44V<sub>dc</sub>-54V<sub>dc</sub>, 10A**






- Recommended Charger/Power Supply for Recovery:

Maximum Current	10 A
Recommended Voltage	44V-48V



**Caution!**  
Do not use more than 10A to recover the Module.

## 7 Automatic Safety Shutdown:

The Module will automatically shut down under any excessive use conditions in order to prevent damage to itself and to the connected equipment. Specified limits for excessive current, high voltage and low voltage are provided in Module’s technical data sheet.

Cause of Shutdown	LCD Warning Message	Description
<b>Over-Current (OCD)</b>		When the Module has an Over-current fault, the counter counts for 5 seconds and if the current does not drop lower than the cut-off and count down has reached to zero, the buzzer alarms and the electronic switch will shut-down.
<b>Module Charge Full</b>		When the Module voltage reaches the maximum voltage, the electronic switch will shut down. This means that each cell from the Module has reached to maximum rated charge.
		The event will be repeated if the charger is still ON and operating in the same condition, the buzzer alarms and LCD will show the warning message.
<b>Low Charge Module</b>		When the Module is in standby mode and it reaches the minimum voltage, the LCD will display this message every 30 seconds.
		When the Module is connected to a load and it reaches the minimum voltage, the buzzer alarms, electronic switch will shut down and LCD will display the message.



<p><b>Over- Temperature</b></p>		<p>When the Module has an Over-Temperature fault, the buzzer alarms, the electronic switch will shut down and LCD will display the message.</p>
<p><b>Terminal Over- Temperature</b></p>		<p>When the Module has a terminal Over-Temperature fault, the buzzer alarms, the electronic switch will shut down and LCD will display the message.</p> <p>This means that electronic switch has reached 80°C.</p>

## 8 Trouble Shooting:

Check the indicators on the front panel to determine the state of the Module. A warning state is triggered when a condition, such as voltage, current or temperature, is beyond design limitations. When the Module falls outside prescribed limits, it enters a warning state. When a warning is reported, the Module immediately stops operation.

The possible warning messages are as follows:

Warning Messages	Description	Trouble Shooting
<b>Over-Current (OC)</b>	OC occurs when the current goes above 40A or when the Module is short-circuited. In this event, the electronic switch will shut down.	Switch OFF the circuit breaker and check the continuity across the Module terminals to find whether there is a short circuit. In case of a short circuit, check the operating circuitry and clear the short circuit.
<b>Over-Temperature (OT)</b>	OT occurs when the Module temperature goes above 80°C. In this event, the electronic switch will shut down.	Shut down the Module and check the surrounding temperature and ensure the ambient temperature is less than 80°C. If not leave the Module to cool till the temperature comes below 80°C. Now, turn ON the circuit breaker.
<b>Remove Module Charger/ Connect Module Charger</b>	This happens when there is some residual current. In this event, the Module gives alarm for full charge or low charge and the charger/discharger is also disconnected but the electronic switch is not activated.	In Sirius VIEW application, select Sirius Config then go to Calibrate Zero Current. Press Calibrate. If you see “No load current is set successfully”, it means the current is set to zero.

## 9 Features:

### 9.1 Key Features:

- Low power consumption.
- Accurate SOC estimation.
- Detection of circuit board errors.
- Long service life.

### 9.2 Physical features:

1. Sirius Module has embedded functionality in the event of:

- High Cell Voltage
- Low Cell Voltage
- High Terminal Voltage
- Low Terminal Voltage
- High Terminal Current
- High Ambient Temperature
- High Module Temperature

2. Front panel of Sirius Module has LCD and Fault Reset Button. The fault reset button acts as a multifunction button for monitoring and configuration. By using Reset fault Button and LCD user can:

- Turn ON/OFF terminals of Module.
- Read Instantaneous Power, SOC, Terminal Voltage, Terminal Current, Terminal Temperature and Ambient Temperature.
- Recalibrating Current Measurement by configuring zero current values.
- Activating Terminals to make Module more secure at first operation.
- Snooze alarms in case of repeating Module alarms.

3. LCD contrast can be configured anytime over Sirius VIEW Monitoring application.

4. Sirius Module can be used with Power Save Mode, this feature can be activated by Sirius VIEW Monitoring application.

5. Front panel of Sirius Module also has 2 LEDs for letting user know the status of Module like
  - Communication LED (Red): Blinking while communicating.
  - Terminal LED(Green): Active while terminal is ON, Inactive while terminal is OFF.

### **9.3 Technical Features:**

1. Sirius Module has one processor for alarm monitoring, communication and datalogging features.
2. Sirius Module has internal memory card that is logging every 10 seconds value of:
  - Terminal Voltage
  - Terminal Current
  - Module SOC
  - Ambient Temperature
  - Terminal Temperature
  - Time Stamp
3. Internal logged data can be easily extracted over Sirius VIEW Monitoring application. Size of internal memory is 8GB and Module can keep logging 30 days of data without any interruption.
4. User can read and delete SD card memory over Sirius VIEW Monitoring Application.
5. Sirius Module has one of the best ADC to increase measurement accuracy up to 6 $\mu$ V level.
6. Sirius Module has advanced algorithm to control Module in safest way. This algorithm can be upgraded by user with updating firmware of Sirius Module over Sirius VIEW Monitoring.
7. Sirius Module firmware can be customized easily based on user needs.
8. Sirius Module has Ethernet interface to communicate with Host PC for:
  - Measurement Monitoring
  - Alarm Monitoring
  - System Configuration
  - Measurement Calibration
  - Manual/Auto Data Logging\Module firmware updating
  - Internal SD card reading/refreshing

- Statistical Analyzing/ Graphical result

## **10 Shelf Life:**

Shelf life is the life of the Module in years from the date it is manufactured to the time it is first operated. The shelf life of supercapacitor cell is 10 years.

## **11 Maintenance:**

The Sirius Module does not require periodic maintenance.

## **12 Disposal:**

Dispose according to local regulation.

## 13 Test Procedures:

### 13.1 Round Trip Efficiency Test:

Round Trip efficiency test is performed to evaluate the performance of the Module. There are three factors to be considered in the design of the test cycle for round trip efficiency.

- How to charge and discharge the Sirius Module.
- At what voltage to start and end the charge/discharge?
- At which points to do the measurement.

Considering the efficiency and cost involved in the production line, we used constant current load test method for Round trip efficiency characterization.

#### Test Equipment:

- DC Charger test system or any other test system which can be used to charge and discharge Module with test cycle programming.

#### Test Temperature:

- Room temperature  $23^{\circ}\text{C} \pm 2^{\circ}\text{C}$ .
- Temperature controlled chamber can be used if testing at any environment other than room temperature.

#### Test Current:

- Different current within the maximum limit specified by the test equipment manufacturer can be applied to the test.

#### Test Process:

Step 1: Rest (open circuit):

- Record test time, test current, and voltage at the start of the test ( $t_1, I_1, V_1$ ).

Step 2: Charge Cycle:

- Charge voltage to its maximum voltage.
- Record test time, test current, voltage and total charge energy at the end of charge cycle ( $t_2, I_2, V_2, E_1$ ).

Step 3: Discharge Cycle:

- Discharge Module to its minimum voltage.
- Record test time, test current, voltage and total discharge energy at the end of discharge cycle (t3, I3, V3, E2).

Step 4: Round Trip Efficiency Calculation:

$$\text{Round trip efficiency} = \left[ \frac{\text{total discharge energy (E2)}}{\text{total charge energy (E1)}} \right] \times 100$$

### 13.2 Test Method for Self-Discharge:

The self-discharge method is designed to see the natural decay of the Module’s total voltage over time after it is fully charged. The result will be influenced by the temperature, the voltage at which the device is charged and the aging condition.

The following steps describe the process for measuring self-discharge.

Step 1:

- Charge the Module to its maximum voltage.
- Record the voltage (Vmax).

Step2:

- Leave the Module idle for a period of 1 month.
- Record the open circuit voltage after 1 month (Voc).

Step 3:

- Self-discharge (%) =  $\left[ \frac{V_{\text{max}} - V_{\text{oc}}}{V_{\text{oc}}} \right] \times 100$

## 14 FAQs:

**Q. How to determine the current status (charging/discharging)?**

A. When the current value on the LCD is negative it means the Module is discharging and when it is positive, it means the Module is charging.

**Q. The current reading on the LCD is not accurate for the first charging/discharging Session?**

A. The user should wait for 5 minutes after starting the Module for the first charge/discharge session (it is only one time for warming up).

Module is OFF: Both of the terminals will not work when the Module is switched OFF.

**Q. How to reset the current to zero?**

A. Please refer to Fault reset (Section 2.3).

**Q. If we leave the Module turned ON after it reaches 44V or below. What will happen?**

A. When the Module reaches the minimum voltage and below (whether terminal is ON or OFF), the LCD will display “Low Charge Module” message. (Please refer to Low charge Module section in user manual).

**Q. What will happen if the Module is totally empty? or If the Module is left on after it is drained, will it keep draining to the point that it will not charge without some sort of manual recovery?**

A. Getting Module totally empty (zero voltage) after leaving the Module stand by for long time is normal, so in this case LCD & electronic switch will be OFF, but the Module can be recovered. (Please refer to recovery procedure in the user manual).

**Q. Self-consumption of the Module when connected to a power source and the terminal is ON, seem to consume about 1Amp or about 1kWh per day?**

A. The maximum current of the Module BMS is 60mA not 1A.

**Q. We are getting multimeter value different (Voltage, Current Charge/discharge, Temperature, Energy) from that displayed in LCD across the terminal? or why has the Module lost the calibration?**

A. It is normal since each electronic tool or equipment needs calibration after long time of use to get accurate results, and for that the Module needs to be calibrated. But before that please check the following:



- Firstly, double check the value with accurate meter (we suggest Fluke multimeter), if the deviation between the Module and multimeter is less than  $\pm 0.5\%$  it is acceptable.
- Secondly, if the deviation is more than  $\pm 0.5\%$ , the Module needs calibration. Please consult with your Reseller for calibration.

**Q. What could happen when connecting different model of Sirius Module parallel/series together?**

A. Modules can be connected in parallel or in series if they will have:

- Same Voltage
- Same Capacity

It is possible but not recommended especially connecting old BMS design to the new one. The system might get unpredictable during extreme scenarios like Module charge full or low.

**Q. Is it possible to connect Sirius Module in parallel with other chemical batteries such as lithium-ion or lead acid?**

A. It is possible but not recommended. Make sure the total voltage of each battery is the same as the Module and the charging voltage does not exceed the Module's maximum voltage. The possible drawback is that you will not get the total capacity of the chemical battery because extreme voltages are not the same.

**Q. If we set the cutoff voltage on the charge controller systems /inverter end to 45V, will that allow the Module to sit at idle for longer periods of time to avoid an undervoltage situation.**

A. Yes.

**Q. How to check charging/discharging energy of Module?**

A. Please refer to "Overview of Sirius VIEW Application" section in Sirius VIEW application manual.

**Q. Why the Module needs twice of power cycle?**

A. When the Module is switched OFF and the Sirius VIEW is still open you have to wait for 10 Sec (since the application is still communicating with the Module) before turning ON the Module, or either by terminating the Sirius VIEW or by disconnecting the communication cable.

**Q. How much is the capacity of the internal storage (SD Card)?**

A. 8GB SD Card is used in the Module which logs 85 bytes of data per 10 seconds. Note that data logging should be turned ON before the Module will start logging and data logging is limited to 30

days. After reading the data the Module will delete it automatically. By default, data logging is OFF for firmware version 2.0 and above.

**Q. Do I need to use Sirius VIEW Software?**

A. The Module can work stand-alone without the software however, the software can be used to monitor and extract the data & measurement as well as to enhance the performance of the Module.

**Q. How do I know if there is firmware issue in the Module?**

A. Please refer to Sirius VIEW monitoring software manual Configuration of Module and Software section.

**Q. What kind of issues can happen about firewall and antivirus programs?**

A. There will be no problem as far as the software run as administrator.

**Q. How to calibrate Module parameters?**

A. To calibrate Module parameter like (Voltage, Current, Temperature, Energy). Kindly consult with your Reseller for calibration procedure.

**Q. What is the reason if the LED isn't working at all?**

A. Due to different reasons that may happen such as:

- If we can get the output (Terminal, software communication), the LED may have some technical issues.
- The protected terminal is not working.

Please consult with your Reseller.

**Q. How to troubleshoot the communication between the Module and PC?**

A. If you face any communication difficulties between the Module and PC please troubleshoot as follows:

- Double Check the cable connection (try to use another USB cable).
- Try to use another port in the PC.
- Check the Module USB drive in your PC from setting then search for Device Manager then go to ports as shown below (Please refer to USB serial driver quick install).

After the troubleshooting if the problem still doesn't solve, please consult with your Reseller.

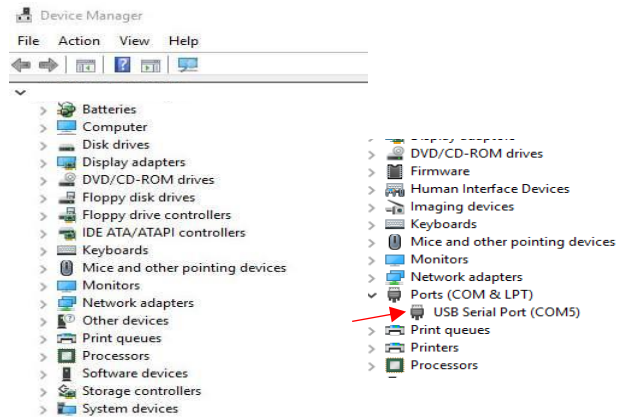


Figure: Module Port

**Q. The Module is showing Contact Service.**

A. Contact your Reseller for customer support.

**Q. How to update the Firmware.**

A. New Firmware is uploaded to <https://www.amberandwaseem.com/>. Always check the website for an update.

**Q. The Module doesn't seem to show correct State of Charge (SOC).**

A. The Module is using the previous data to correct the state of charge in the long run. Charge the Module to maximum Voltage and then discharge it to cut-off Voltage and repeat the process several times to correct the SOC. Note that open voltage is not directly related to SOC.

**Q. Can the Sirius Module be installed standing vertically with the connection facing up without potentially stressing the cells inside the Module?**

A. Yes, but NOT in a movable/vibrating position.

**Q. What is the difference between the "balancing" and "auto balancing" in "set Config" tab in Sirius VIEW?**

A. Balancing: Balancing can be activated from any voltage level when the Module is in standby mode (Zero current). When all the cells get balance, the balancing will stop. The time required to balance all cells depends on cells condition.

Auto balancing: Auto balancing is activated automatically during charging when the cells get unbalanced.

Note that it is activated only when the Module Voltage is about to reach maximum voltage.

**Q. Can balancing and auto balancing options be activated at a same time?**

A. Yes

**Q. When to use Sirius Config?**

A. The Module is received with full settings and the most updated firmware, however, if you want to calibrate parameters (current, voltage, date and time, alarm, temperature) you can use Sirius Config for calibrating. For more information contact your Reseller.